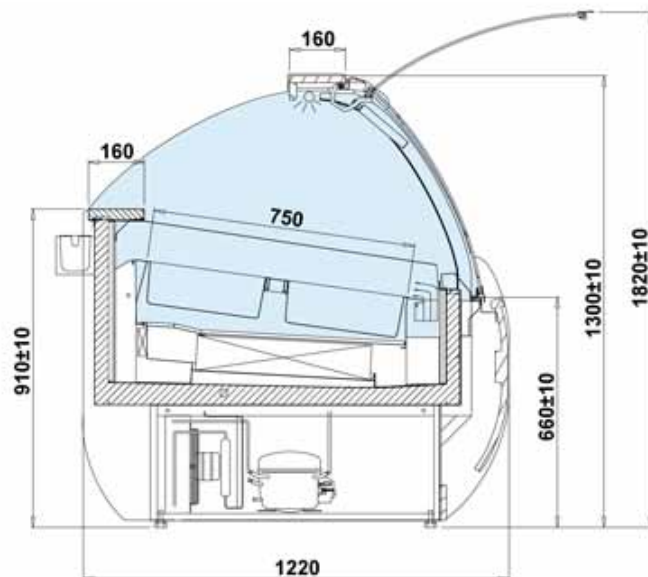


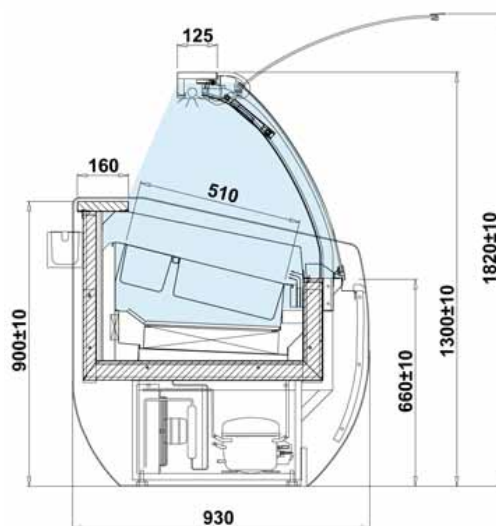
## Ice cream display - I-Aruba



I-Aruba<sup>3</sup>



I-Aruba 2\*



### Technical parameters:

Model	Dimensions (ext.)	Power	Weight [kg]
	H x W x D [mm]	Consumption [kWh/24h]	
I-Aruba 1.25	1300 x 1385 x 1220	16,10	300
I-Aruba 2.50	1300 x 2635 x 1220	28,00	520
I-Aruba 2/1.00	1300 x 1070 x 930	12,20	195
I-Aruba 2/1.25	1300 x 1385 x 930	12,70	245

\* - Picture above presents unit with either some or all available extras. Please note that the look of basic version of cabinet, or one of your choice, may vary from presented.

## Ice cream display - I-Aruba



I-Aruba\*



I-Aruba 2\*

### Description:

- temperature range -10 / -20°C
- preferred ambient temperature +16 / +25°C
- power supply 230V / 50Hz
- internal condensing unit
- ecological polyurethane insulation
- wooden external housing - choice of colours
- stainless steel worktop
- exposition area made of stainless steel
- space for 14 VGN containers(360x165x120mm) - I-Aruba 1.25
- space for 28 VGN containers(360x165x120mm) - I-Aruba 2.50
- space for 7 VGN containers(360x165x120mm) - I-Aruba 2/1.00
- space for 10 VGN containers(360x165x120mm) - I-Aruba 2/1.25
- internal frame painted silver or gold
- LED lighting (confectionary colour)
- front glass telescopic lifting system
- manual blind (roller) from staff side
- electronic control with temperature display
- forced air circulation
- front glass warm air blow
- automatic defrost and condensate evaporation system
- 1 year full warranty service and after warranty service provided

### Available options:

- scoop washer container
- scoop washer container with water flow system
- VGN containers (360x165x120mm)

### Choice of colours:



### Wood Patterns

\* - Picture above presents unit with either some or all available extras. Please note that the look of basic version of cabinet, or one of your choice, may vary from presented.